

NIBCO® Press System Bronze Ball Valves

Two-Piece Body • Full Port • Bronze Trim • 3/4" Hose Connection with Cap and Chain • Blowout-Proof Stem

600 PSI/41.4 bar non-shock cold working pressure

250°F maximum operating temperature

CONFORMS TO MSS SP-110

MATERIAL LIST

PART	SPECIFICATION
1. Handle Nut	Zinc Plated Steel
2. Handle	Zinc Plated Steel
3. Pack Gland	Brass ASTM B 16 Alloy C36000
4. Packing	PTFE
5. Thrust Washer	RPTFE
6. Stem	Silicon Bronze ASTM B 371 Alloy C69430
7. Ball	Brass ASTM B 16 Alloy C36000 or ASTM B 124 Alloy C37700 (Chrome/Nickle Plated)
8. Seat Rings	Reinforced PTFE
9. Body Assembly	Bronze ASTM B 584 Alloy C84400
10. Hose Body End	Brass ASTM B 124 Alloy C37700
11. Cap	Die Cast Brass
12. Gasket	Rubber
13. Chain	Brass
14. Stub Out	Type "L" Copper Tube



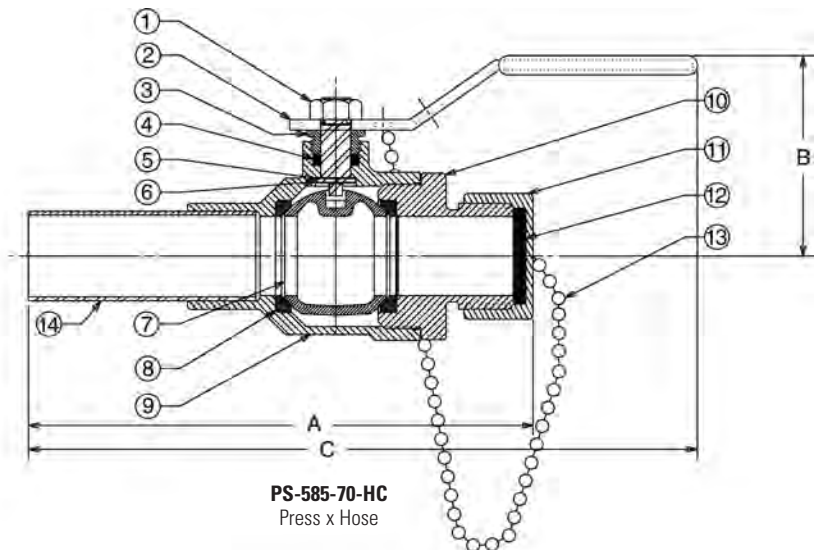
PS-585-70-HC
Press Male x Hose End

Cap is for hose end thread protection only. Not to be used for pressure containing purposes.

DIMENSIONS—WEIGHTS

Size	Dimensions						Weight		
	A		B		C		Lbs.	Kg.	
In. mm.	In.	mm.	In.	mm.	In.	mm.			
1/2	15	4.90	124	1.88	48	7.19	183	.81	.37
3/4	20	5.47	139	2.25	57	8.25	210	1.54	.70

NIBCO Press System ball valves are designed to meet MSS SP-110 with the exception of the end connection. Ball valves are down-rated from 600 PSI CWP to 200 PSI CWP to match the NIBCO Press System. Male and female press-to-connect ends are new technology not yet covered in the current edition of this specification.



PS-585-70-HC
Press x Hose

Visit our website for the most current information.